



USERS MANUAL & SAFETY GUIDE

Thoroughly read this manual before assembling or using scaffolding unit. Failure to do so can result in injury or death. Seriously...read it.

One Year Warranty

This product is guaranteed for one year against flaws in materials and craftsmanship



CONFORMANCE TO 29 CFR PT. 1926



MEETS CODE A10.8



CONFORMITY TO CSA STANDARD

SAFETY GUIDE



Read Before Use

Thoroughly read this manual before assembling or using scaffolding unit.



Electrical Warning

Never use scaffolding unit in proximity to live electrical circuits or power lines.



Do Not Over Encumber

This unit was designed for a maximum load capacity of 1,000 lb (453 kg). Weight capacity DECREASES above 71 in platform height.

Prior to Use

- ▶ Refrain from using scaffolding if you are unwell, taking medication, consuming alcohol, mind-altering drugs or experiencing any other condition that may impair your ability to work.
- ▶ Only use scaffold unit as intended and complying with local, state and national guidelines and legislation.
- ▶ Use ScaffoldMart outriggers and safety rails when stacking units. Inspect the scaffold unit before every use. Avoid using if structure is compromised or you are missing manufacturer parts.
- ▶ Safety rails must be constructed on all unprotected edges of work area where a fall of greater than 6ft (1.8 m) may occur.
- ▶ Always secure safety rail system with span pins and bolts.
- ▶ While constructing safety rail, ensure that the access panel opens inward over surface of platform. Ensure that lock is engaged on door latch before and after use.
- ▶ Ensure all braces and platform are locked prior to use.
- ▶ Scaffold must utilize two complete side rails with even weight distribution. Never use it without a complete unit. Failure to comply can result in injury, damage and death.
- ▶ Check that outriggers are properly secured before use.
- ▶ Only use on level, even surfaces. Avoid using scaffold on surfaces that are soft, muddy, debris filled, holey or otherwise obstructed.
- ▶ Avoid using corrosive materials on or near unit. Acids and other corrosive materials can compromise the integrity of the metal and wooden platform.
- ▶ Only use ScaffoldMart caster jacks to adjust height of casters. Never attach any other material to extend leg of unit.
- ▶ Keep platform free of obstacles and debris to avoid tripping while on unit.

- ▶ Secure caster wheels with span pins before use.
- ▶ For stability, center body in middle of scaffold unit. Excess weight on any side may cause unit to tip.
- ▶ Secure tools and materials to unit during use. Remove all objects before moving the unit.
- ▶ Never move scaffold unit while objects or personnel are on platform.
- ▶ Never use machinery to move scaffold. Use extra care when operating near machinery.
- ▶ Manually inspect all side rails to ensure locking mechanism is properly engaged before using unit. Do not use unit if locking mechanism is compromised.
- ▶ Do not stack units without using ScaffoldMart outriggers and guardrails.
- ▶ Never use unit during high winds or inclement weather.
- ▶ Keep a firm grip while ascending unit on ladder rungs.
- ▶ Maintain your scaffold platform with ScaffoldMart parts. Contact us for replacement platform planks. Never use platform if the structural integrity is compromised.
- ▶ Never form bridges from scaffold to another surface.
- ▶ Only use 3-sided guardrail configuration when open side is within 2" of a wall while multifunction is at or above 6' standing height. Failure to keep side rail within 2 inches of wall can result in injury, accident and death.
- ▶ Do not use 3-sided guardrail configuration when stacking units.
- ▶ Removing one long panel of guardrail system in conjunction with one unit and with open side within 2" of wall is allowable.
- ▶ 3-sided 1-unit high open side is allowed. Use our guard rail system to install our patent pending guard rail tool shelf to increase storage and utilities.



Thank you for reading this: Now might be a good time to take a short break!

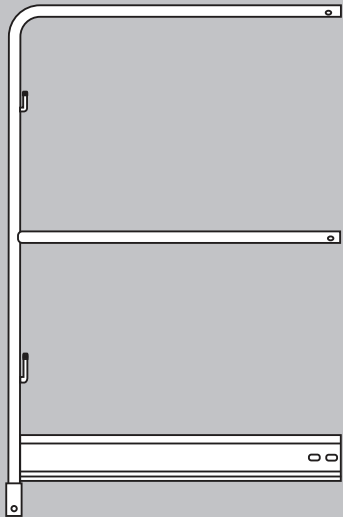


Exceeding 71" Configuration Notice: This scaffolding unit has a maximum setting of 79 inches. If setting deck of single scaffold unit higher than 71 inches, load capacity is reduced to 250 pounds. Additionally - guardrails, outriggers and rail clamps from our stability kit and extra span pins must be in use whenever a fall of 72 inches or higher may occur. Load capacity is reduced when stacking units.

BOX CONTENTS

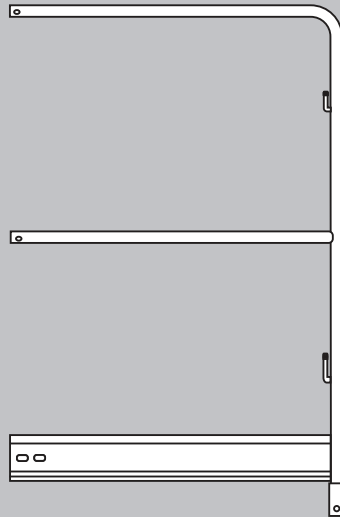
HALF SIDE GUARDRAIL WITH HINGE ONE

x1



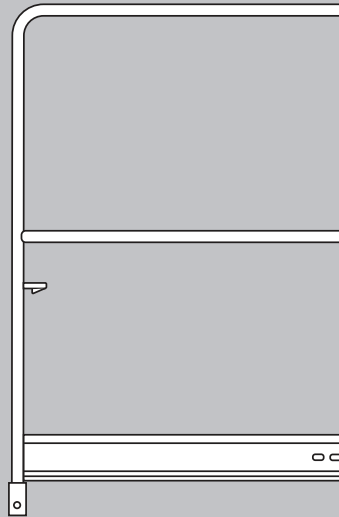
HALF SIDE GUARDRAIL WITH HINGE TWO

x1



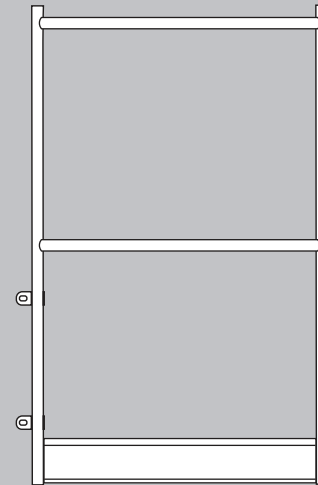
HALF SIDE GUARDRAIL WITH LATCH

x2



END PANEL

x2



GUARDRAIL CONNECTOR

x4



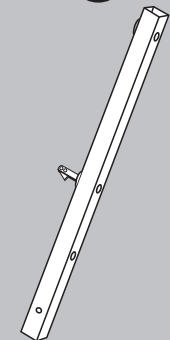
TOE BOARD CONNECTOR

x2



LATCH POST

x2



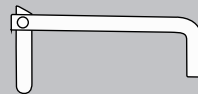
TOOLS REQUIRED



Adjustable Wrench & Phillips Head Screwdriver

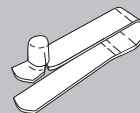
TOGGLE PINS

x4



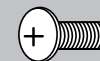
SPRING RIVET

x8



FENDER HEAD SCREW

x8

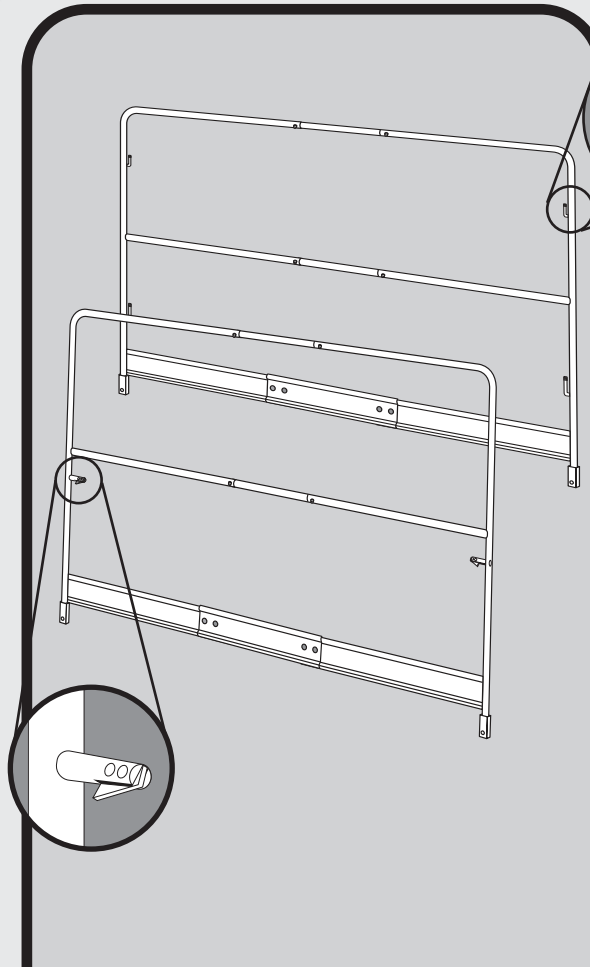


NUT

x8



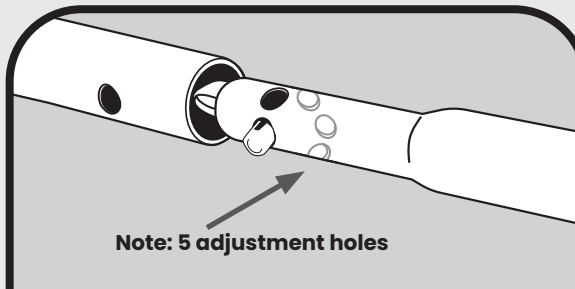
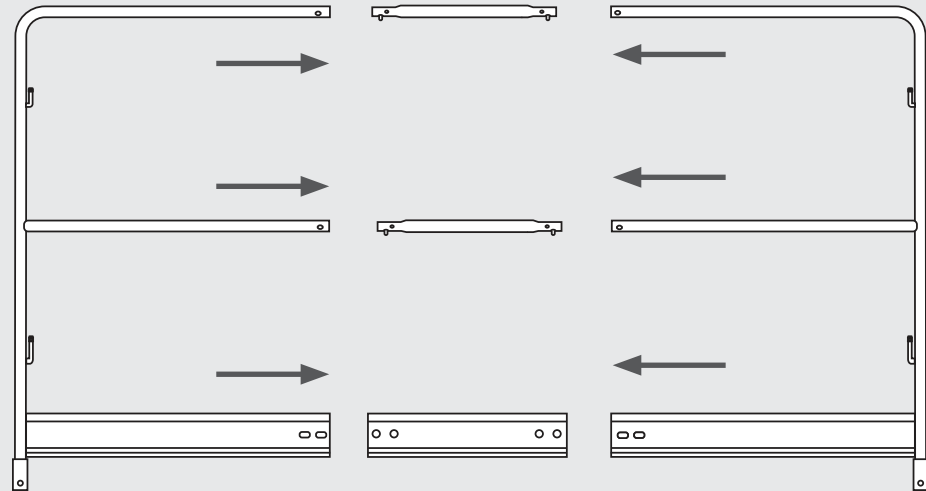
4-SIDED GUARDRAIL SETUP



1 First place Half Side Guard Rail Panel with Hinge One on the ground, ensuring the hinges are pointing upwards and panel is flat on the ground.



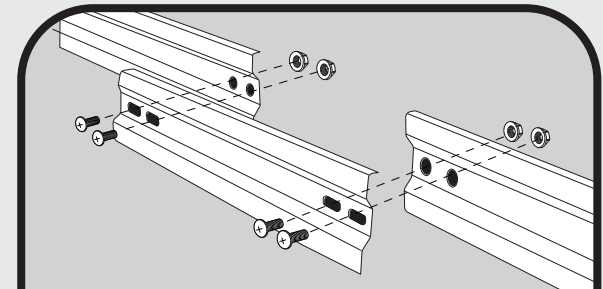
Hinges must point upward



Note: 5 adjustment holes

2 With Half Side Guard Rail Panel with Hinge One on ground, attach two Guardrail Connectors. Connectors have five adjustment holes. Begin with middle hole and adjust fit as needed.

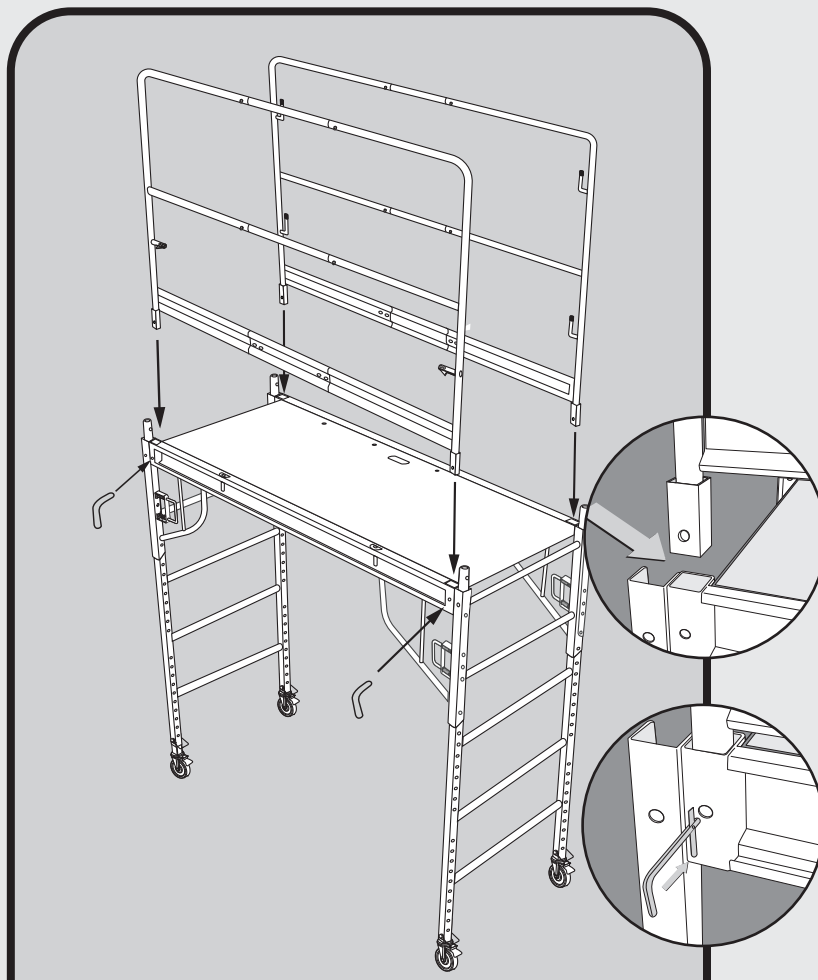
3 Attach Half Side Guardrail with Hinge Two to opposite end of connectors, ensuring both half panels lay flat with hinges pointed upward.



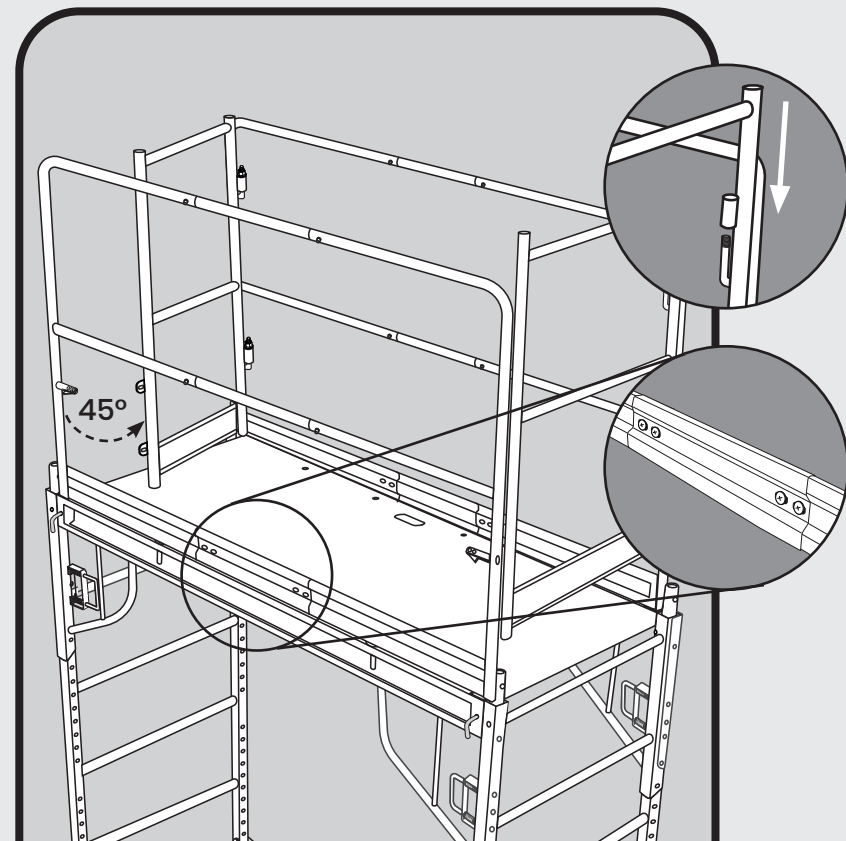
4 Complete toe board by attaching Toe Board Connector with fender screws as shown. Make certain toe board connector is oriented the same as the toe boards so that they nest. Leave screws slightly loose for further adjustment once guardrail system is in place on the unit.

5 Repeat steps 1-4 with the two included Half Side Guard Rail with Latch

4-SIDED GUARDRAIL SETUP



6 First install side rails on unit. Insert square fittings into square receivers on rails of scaffold. Secure with provided fasteners before proceeding.



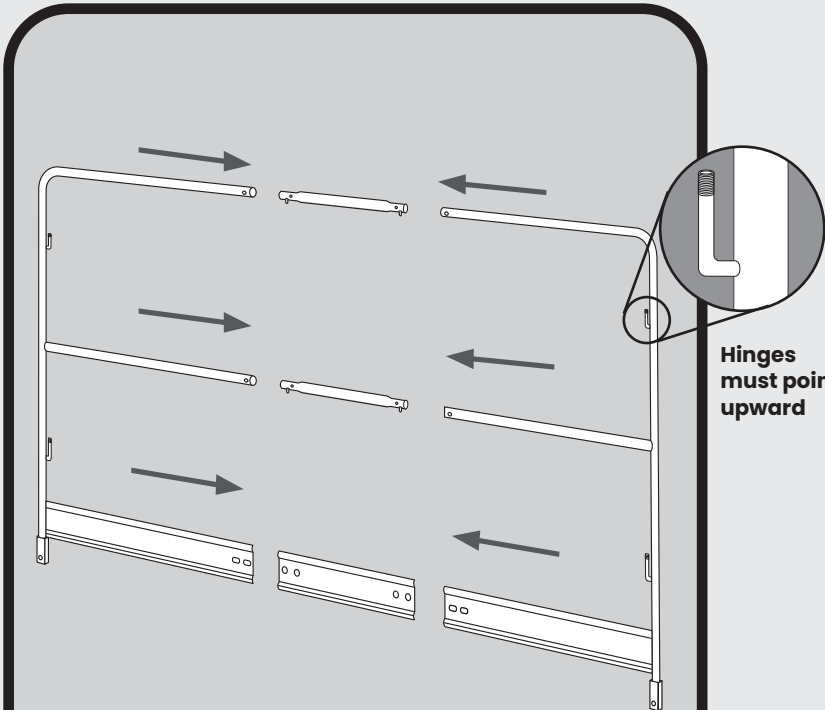
7 Install end panels by sliding them onto hinges and securing with nuts. Install end panels at a 45 degree angle directed to the interior of the unit. Close end panels and secure with latch.

8 With guardrail in place and secured with fasteners, tighten fender screws on toe board to complete construction.

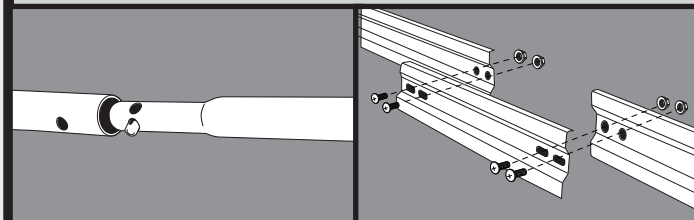
3-SIDED GUARDRAIL SETUP



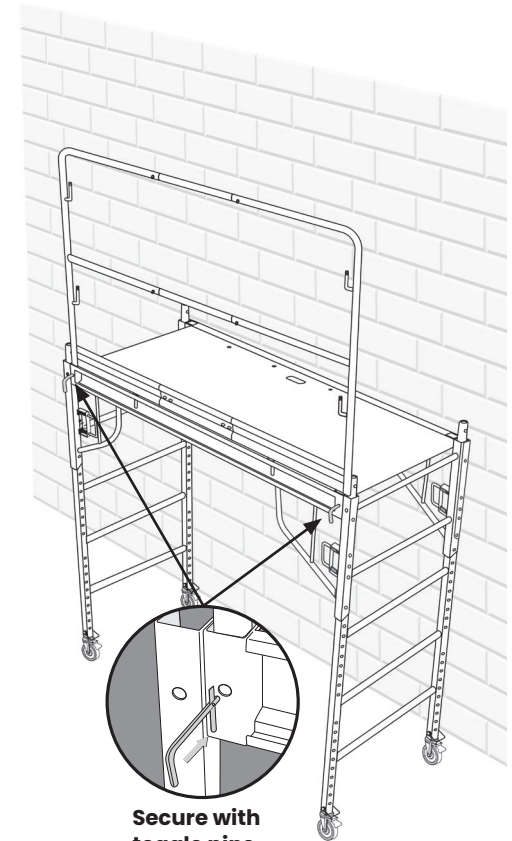
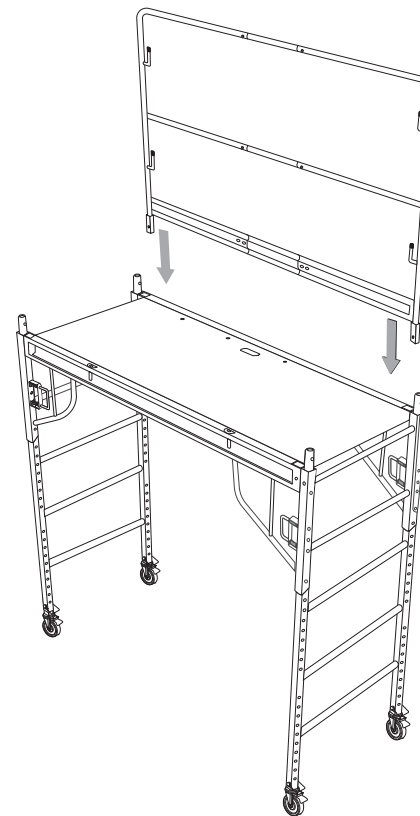
IMPORTANT: Never use guardrail in three-sided configuration where a fall of 72 inches or greater may occur. Edge of platform on open side must stay within 2 inches of a structurally sound wall in its entirety when in three-sided configuration.



Hinges
must point
upward



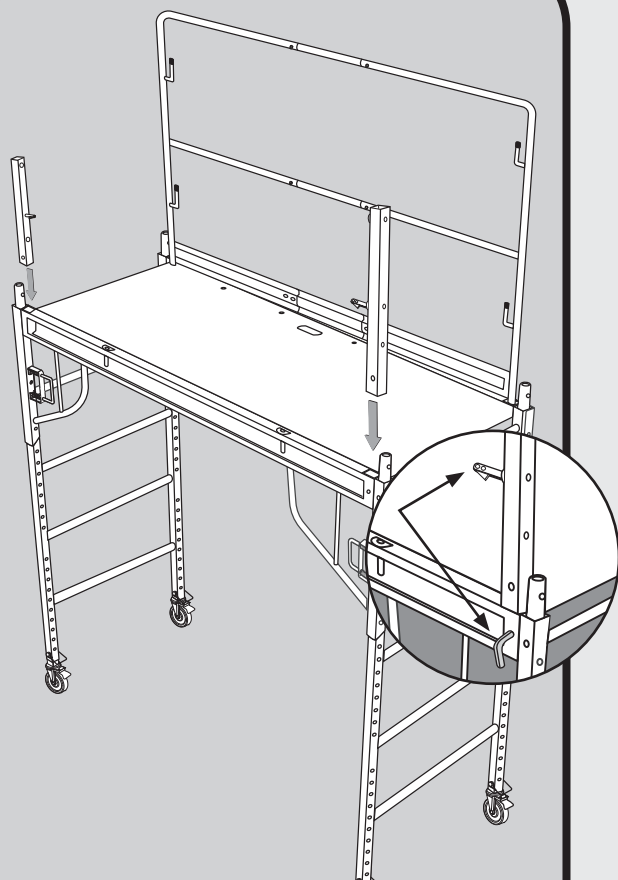
1 Assemble and install side rail panel with hinges. Reference instructions 1-4 in the first portion of this manual.



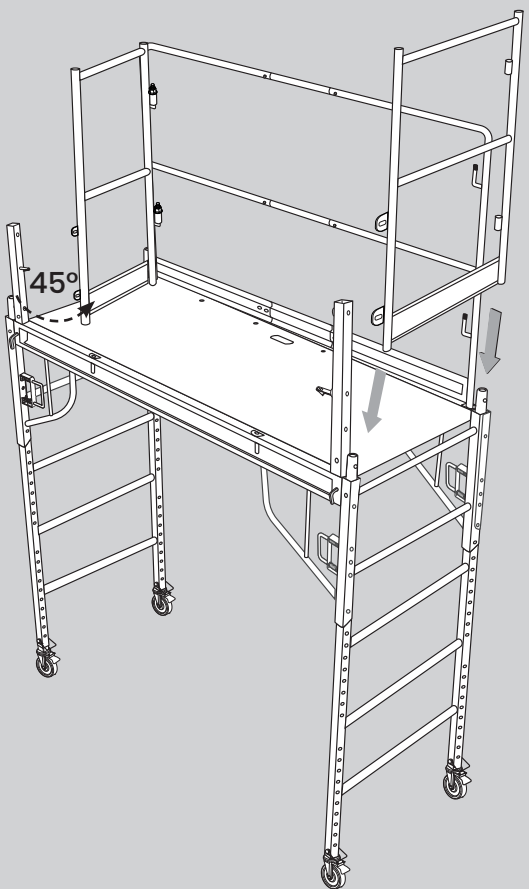
Secure with
toggle pins

2 Install completed side rail panel with hinges, making certain hinges point inward towards the unit. Make sure to immediately secure panel with toggle pins as you make connections.

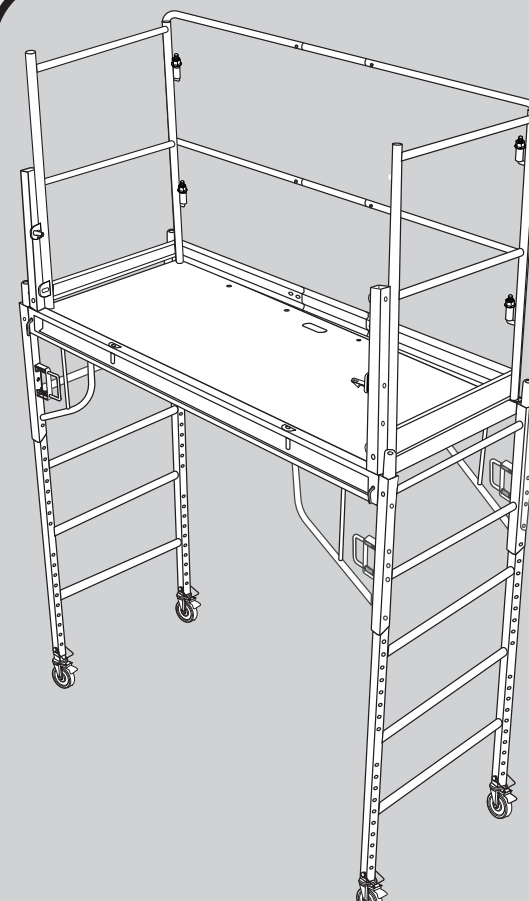
3-SIDED GUARDRAIL SETUP



3 Install Latch Posts at connection points opposite the guardrail panel with hinges, immediately secure with toggle pins. Install latches such that their studs are pointed at one another, inward toward the center of the platform.



4 Install end panels by sliding onto hinges and securing with nuts. Install end panels at a 45 degree angle directed toward the inside of the unit.



5 Once hinges are fastened, close end panel and secure with latch. Once guardrail system is installed and secured to multifunction unit, tighten fender screws at toe board connector to complete the guardrail system.



Contact Us: If you have any questions, please call our friendly and knowledgeable staff. Or browse our website, we update it daily with good information about our products and the industry in general.

Sales Office: 1705 South Evans St. | Greenville, NC 27834 | **Warehouse Address:** 1002 North Pitt St. | Greenville, NC 27834

Phone: (866) 900-0983 | **Fax:** (252) 756-3849