



User Manual & Safety Guide



Read This Manual

Thoroughly read this manual before assembling or using scaffolding unit. Failure to do so can result in **injury or death.**

Seriously... **read it.**



**ONE YEAR
WARRANTY**



Meets Code A10.8



Conforms to
29 CFR Part 1926



Conforms to
CSA Standard

Read Instructions thoroughly before assemblage. Non-compliance with guidelines may result in serious injury or death.

USE AND ASSEMBLY

- Only use scaffold unit while complying with local, state, and national guidelines and legislation. It is the user's responsibility to know and follow the rules.
- A competent person should manually inspect scaffolding prior to each use, ensuring all parts are present and in good condition and that casters, siderails, and platforms are properly locked and components are secured with proper fasteners.
- Only use on level, even surfaces. Erect scaffold unit plumb, with platform(s) level. Avoid using scaffold on surfaces that are soft, muddy, debris filled, holey or otherwise obstructed.
- Refrain from using scaffolding if you are unwell, taking medication, consuming alcohol, mind-altering drugs or experiencing any other condition that may impair your ability to work.
- Rated load capacities are not to be exceeded.
- 18" outrigger is to be used for maximum of two stacked multifunction units. Larger outriggers are required when exceeding two stacked units.
- 18" outriggers and guardrails are required whenever a fall of 71" may occur.
- Four outriggers should be in use whenever possible.
- Outriggers must always be securely fastened in proper configuration based on the user manual. Outriggers improperly applied or secured will not stabilize scaffold unit.
- Casters must always be secured with span pins and caster brakes must be locked before climbing or standing on scaffolding.
- Do not use any scaffolding component that is damaged or if parts are missing.
- Caster brakes should be applied for entirety of setup and use. Casters should only be unlocked to move scaffold, never with personnel, equipment or materials on the unit.

- Follow manufacturer instructions assembling products. Do not skip steps and make certain all connections are secured.
- Double check all connections before climbing unit to make certain they are properly secured.
- Make certain outriggers are attached such that all eight contact points with the ground are level.

DO NOTS

- Never use this outrigger when stacking more than two 6' Multifunction Units.
- Never over-tighten tube clamps on outriggers.
- Never move a scaffolding loaded with anything, including personnel, tools, materials, etc.
- Never use on uneven, soft or obstructed surfaces.
- Never lean outside the perimeter of scaffolding, this can cause tilt conditions.
- Never exceed 71" standing height without guardrails and outriggers installed.
- Never use any means other than manufacturer approved equipment to alter the standing height of a platform.
- Never exceed manufacturers rated load capacity.



Do Not Over Encumber

This unit was designed for a maximum capacity load of 1,111 lbs (504 kg) Weight Capacity **DECREASES** with stacking. Only use Scaffoldmart outriggers and stacking units.



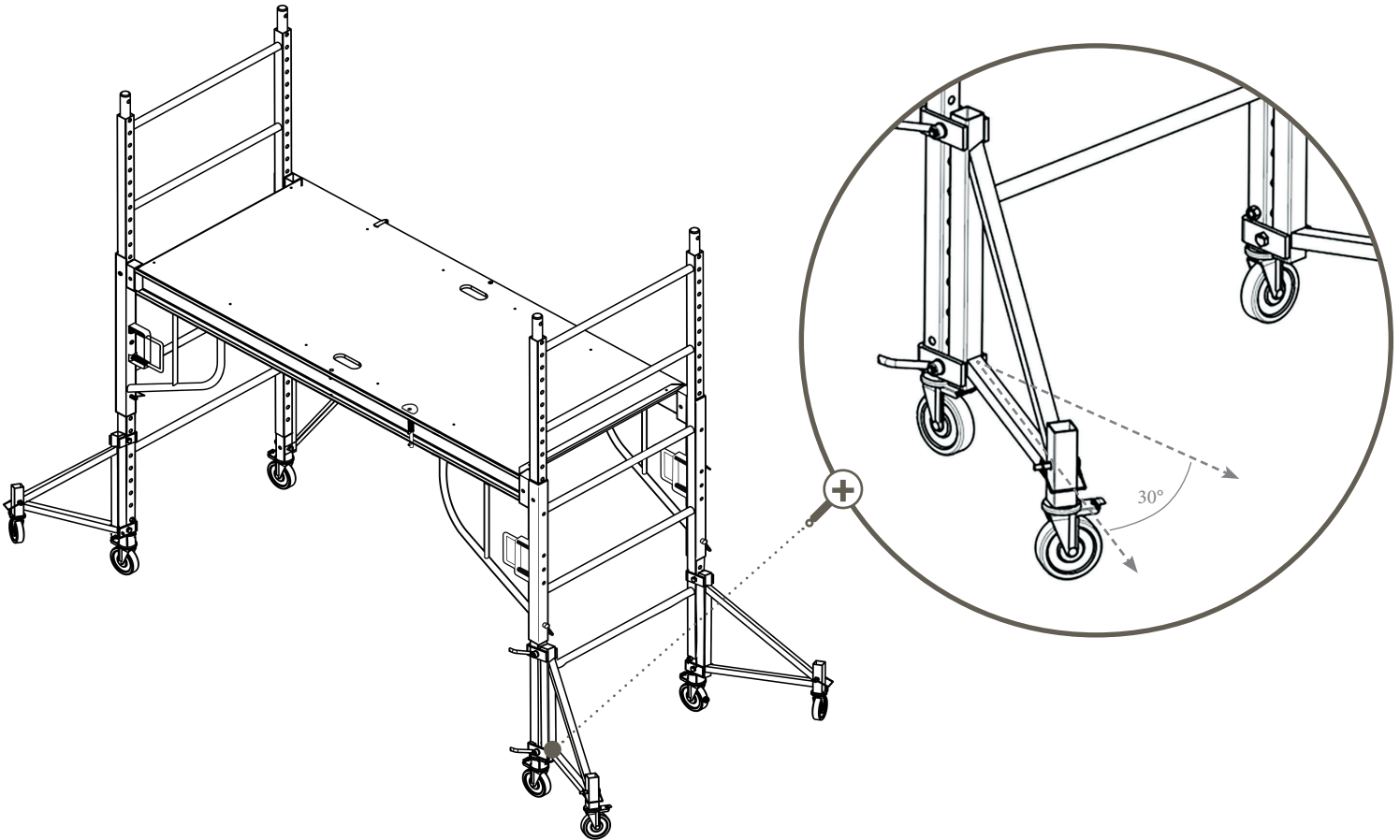
Metal Conducts Electricity

Never use scaffolding unit in proximity to live electrical circuits or power lines.

NOTE BEFORE ASSEMBLY: This outrigger is built to attach in two configurations, depending on the configuration they're being used to stabilize. One for use on single 6' multifunction units, another for two stacked units. DO NOT use this outrigger stacking more than two units.

SINGLE UNITS USE 30 DEGREE POSITION

For single units, outrigger attach flush with square tube such that adjustment holes in frame are covered. Always install with outriggers angled away from one another.

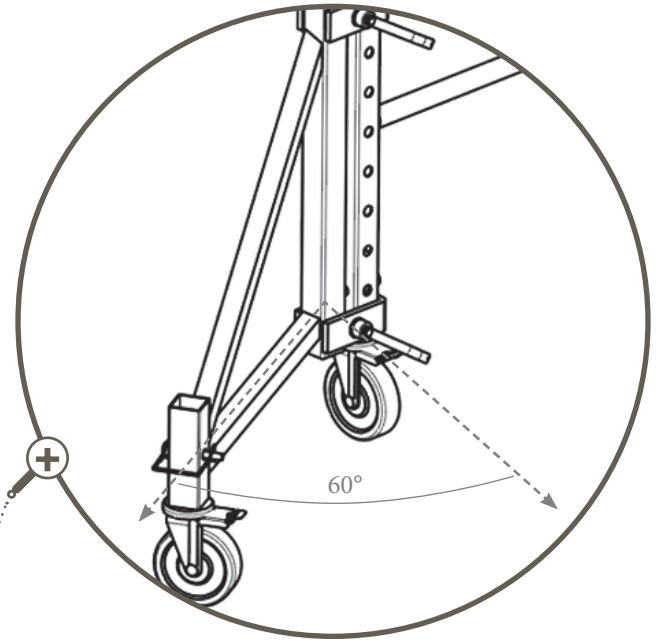
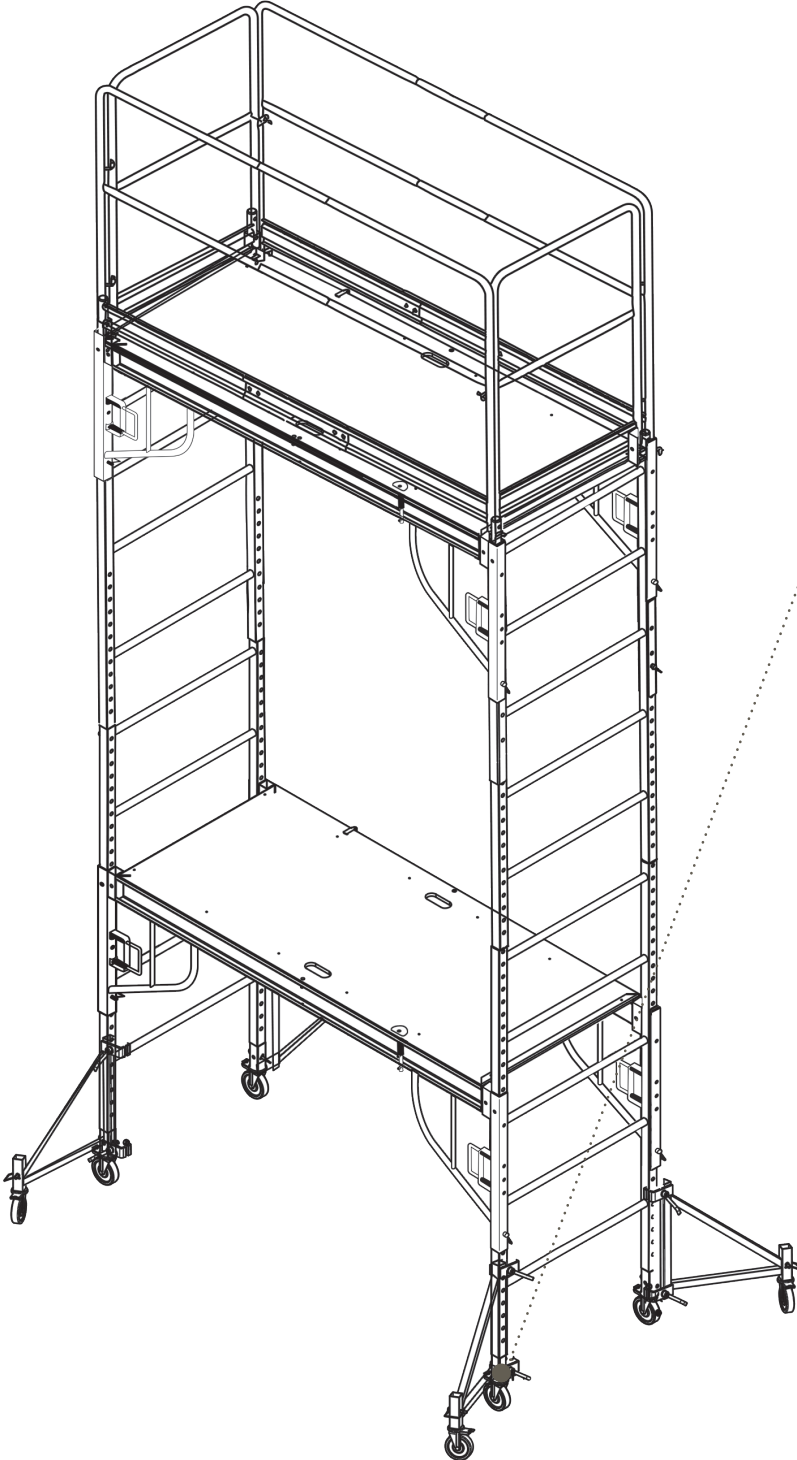


- 1 Start with one 6' multifunction unit fully assembled, with all parts securely fastened and locked.
- 2 Before attaching outrigger, insert caster into receiver and fasten with a span pin.
- 3 To attach outrigger, align the square face of the vertical tube of the outrigger with the square face of the vertical tube of the scaffold frame.
- 4 Set outrigger at a height where its caster is in firm contact with the ground, such that it's level with the casters already applied to the scaffold unit.
- 5 Outriggers fasten by way of clamps. Place clamps so their ends wrap around square tube, then secure the hand-tightening levers. Turn until hand-tight, then a little more.

Customer Service:
.....
1 (866) 900-0983
customerservice@scaffoldmart.com
scaffoldmart.com

STACKED UNITS USE 60 DEGREE POSITION

For two stacked units, outrigger attach flush with square tube such that adjustment holes in frame are covered. Always install with outriggers angled away from one another.



- 1 Start with one 6' multifunction unit fully assembled, with all parts securely fastened and locked.
- 2 Before attaching outrigger, insert caster into receiver and fasten with a span pin.
- 3 To attach outrigger, align the square face of the vertical tube of the outrigger with the square face of the vertical tube of the scaffold frame.
- 4 Set outrigger at a height where its caster is in firm contact with the ground, such that it's level with the casters already applied to the scaffold unit.
- 5 Outriggers fasten by way of clamps. Place clamps so their ends wrap around square tube, then secure the hand-tightening levers. Turn until hand-tight, then a little more.
- 6 With outriggers securely fastened, continue construction of second multifunction unit and guardrails.


**ONE YEAR
WARRANTY**

ScaffoldMart guarantees this product against any material defect for a period of one year beginning at the time of purchase. This warranty does not cover damages or injury due to inappropriate or incorrect use, care or maintenance of your unit.